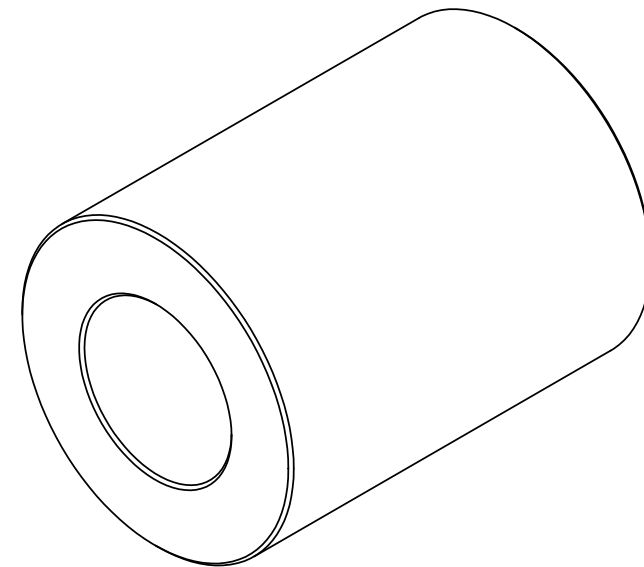
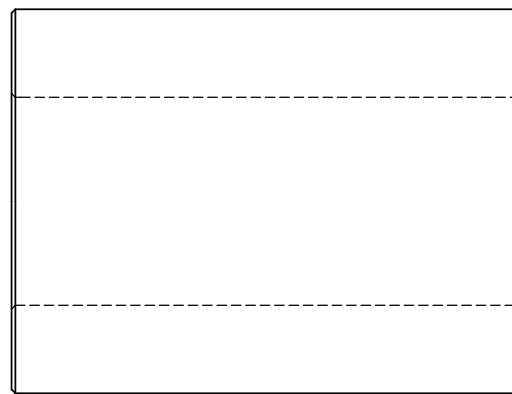
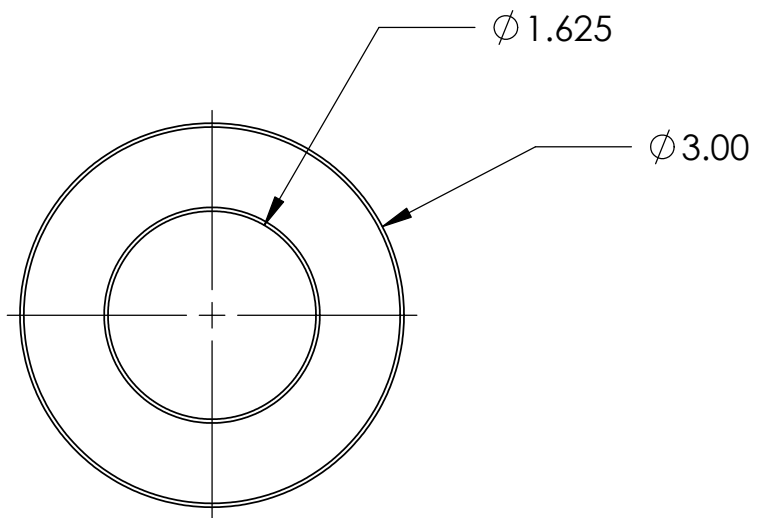
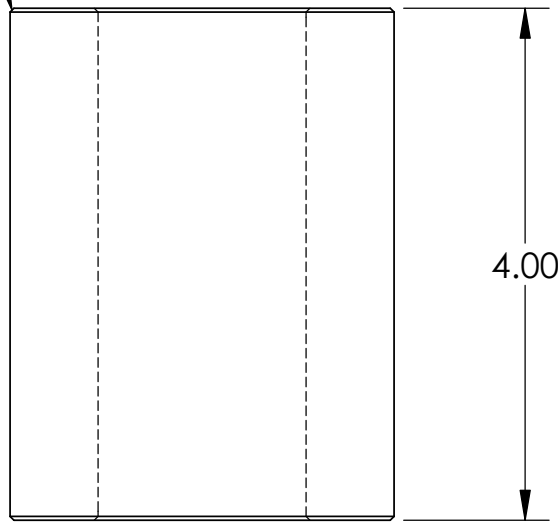


.03 X 45.00°
TYP. 4 PLACES



REVISIONS				
ZONE	REV.	DESCRIPTION	DATE	APPROVED

PROPRIETARY AND CONFIDENTIAL
THE INFORMATION CONTAINED IN THIS DRAWING IS THE SOLE PROPERTY OF KANAMAK HYDRAULICS, INC. ANY REPRODUCTION IN PART OR AS A WHOLE WITHOUT THE WRITTEN PERMISSION OF KANAMAK HYDRAULICS, INC IS PROHIBITED.

UNLESS OTHERWISE SPECIFIED:		DATE	NAME	KANAMAK HYDRAULICS, INC.
DIMENSIONS ARE IN INCHES		DRAWN	IDP	
TOLERANCES:		CHECKED		
FRACTIONAL ±		ENG APPR.		
ANGULAR: MACH ± BEND ±		MFG APPR.		
TWO PLACE DECIMAL ± .06		Q.A.		
THREE PLACE DECIMAL ± .03		COMMENTS:		
INTERPRET GEOMETRIC TOLERANCING PER:				
MATERIAL 1045		SIZE	DWG. NO.	REV
FINISH DOM		B	810632	
NEXT ASSY	USED ON	SCALE: 1:1.5		WEIGHT:
APPLICATION		SHEET 1 OF 1		