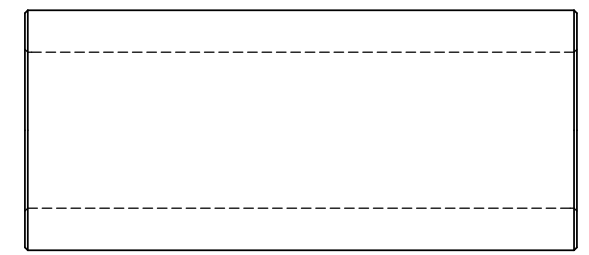
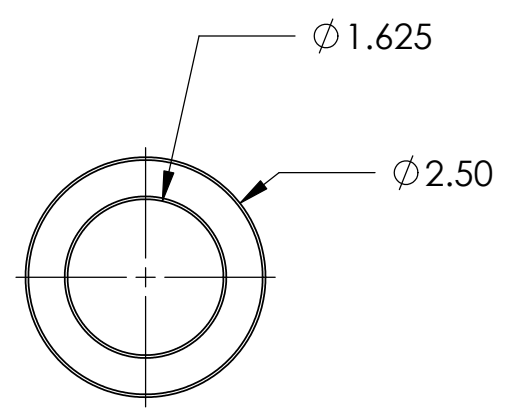
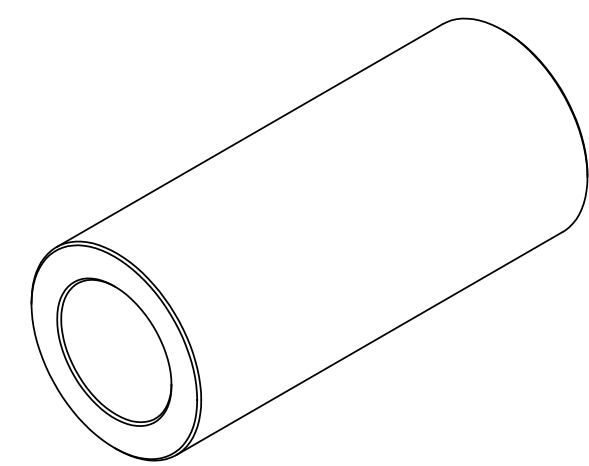
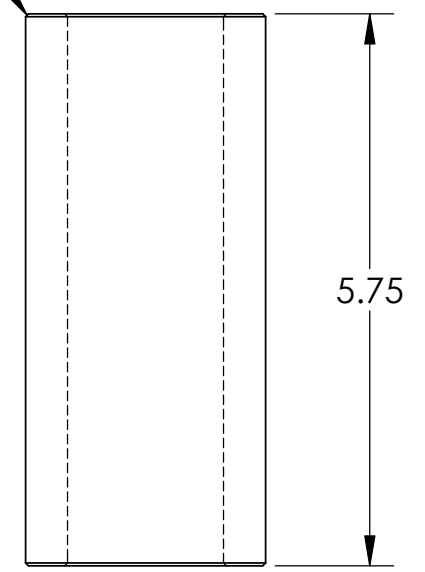


REVISIONS				
ZONE	REV.	DESCRIPTION	DATE	APPROVED

.03 X 45.00°
TYP.
4 PLACES



PROPRIETARY AND CONFIDENTIAL
THE INFORMATION CONTAINED IN THIS DRAWING IS THE SOLE PROPERTY OF KANAMAK HYDRAULICS, INC. ANY REPRODUCTION IN PART OR AS A WHOLE WITHOUT THE WRITTEN PERMISSION OF KANAMAK HYDRAULICS, INC IS PROHIBITED.

UNLESS OTHERWISE SPECIFIED:		DATE	NAME	KANAMAK HYDRAULICS, INC.
DIMENSIONS ARE IN INCHES		DRAWN	IDP	
TOLERANCES:		CHECKED		
FRACTIONAL ±		ENG APPR.		
ANGULAR: MACH ± BEND ±		MFG APPR.		
TWO PLACE DECIMAL ± .06		Q.A.		TITLE: BUSHING
THREE PLACE DECIMAL ± .03		COMMENTS:		
INTERPRET GEOMETRIC TOLERANCING PER:				SIZE
MATERIAL 1045				DWG. NO.
FINISH DOM				REV
NEXT ASSY	USED ON			SCALE: 1:2
APPLICATION				WEIGHT:
				SHEET 1 OF 1

