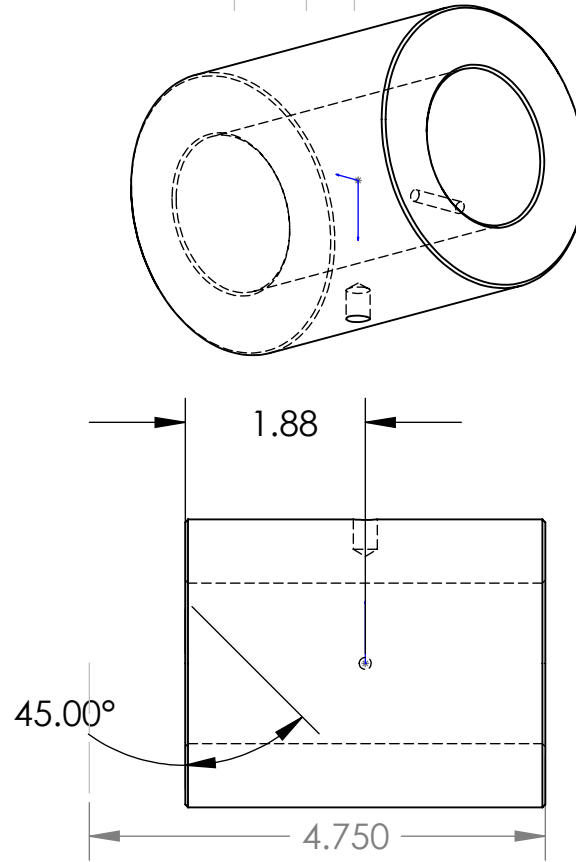
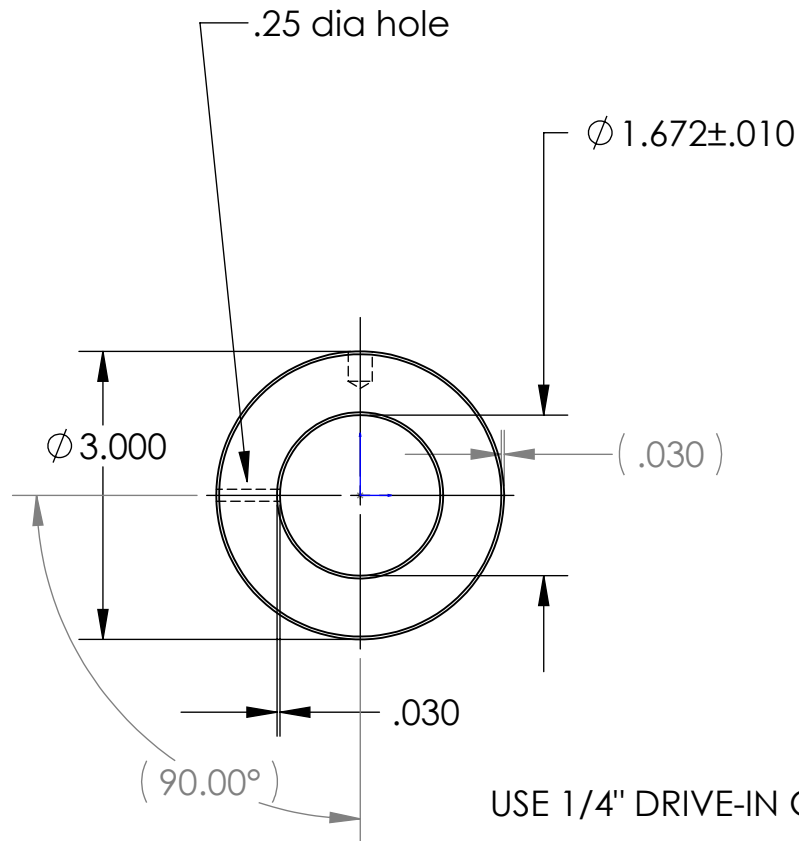


ZONE		REV.	REVISIONS DESCRIPTION	DATE	APPROVED



USE 1/4" DRIVE-IN GREASE ZERK P/N 7589

PROPRIETARY AND CONFIDENTIAL
 THE INFORMATION CONTAINED IN THIS DRAWING IS THE SOLE PROPERTY OF KANAMAK HYDRAULICS, INC. ANY REPRODUCTION IN PART OR AS A WHOLE WITHOUT THE WRITTEN PERMISSION OF KANAMAK HYDRAULICS, INC. IS PROHIBITED.

UNLESS OTHERWISE SPECIFIED:		NAME	DATE
DIMENSIONS ARE IN INCHES		DRAWN	KBM 12/14/2009
TOLERANCES:		CHECKED	
FRACTIONAL ±		ENG APPR.	
ANGULAR: MACH ± BEND ±		QUANTITY:	1
TWO PLACE DECIMAL ±		COMMENTS:	
THREE PLACE DECIMAL ±			
INTERPRET GEOMETRIC TOLERANCING PER:			
MATERIAL			
DOM-1250-2250			
NEXT ASSY	USED ON		
FINISH			
APPLICATION			
DO NOT SCALE DRAWING			

KANAMAK HYDRAULICS INC

TITLE:
 Pin Eye-Rod 1 1/4 pin

SIZE	DWG. NO.	REV
A	810657	none

SCALE: 1:4	Weight 5.16 lb	SHEET 1 OF 1
------------	----------------	--------------