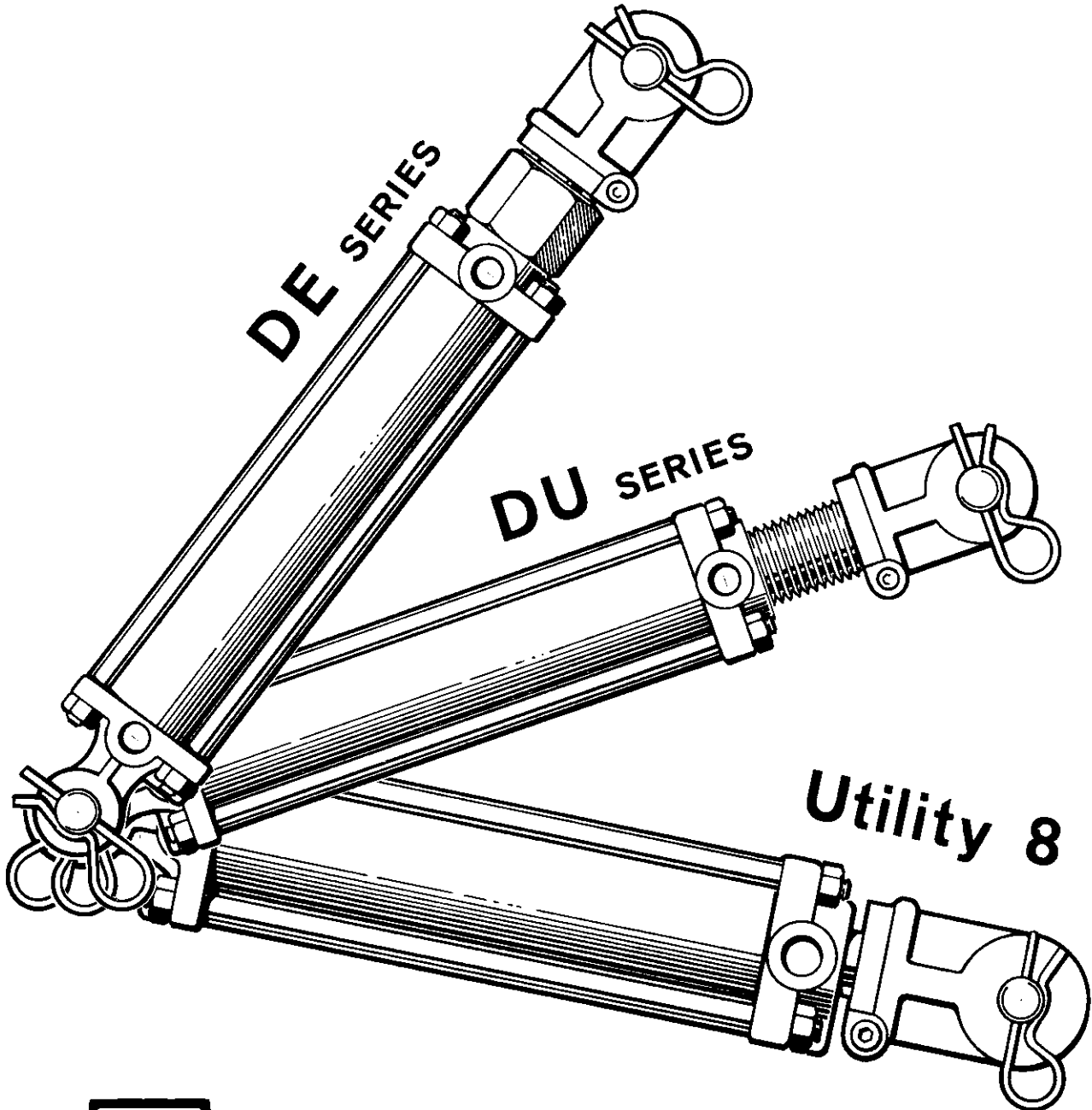


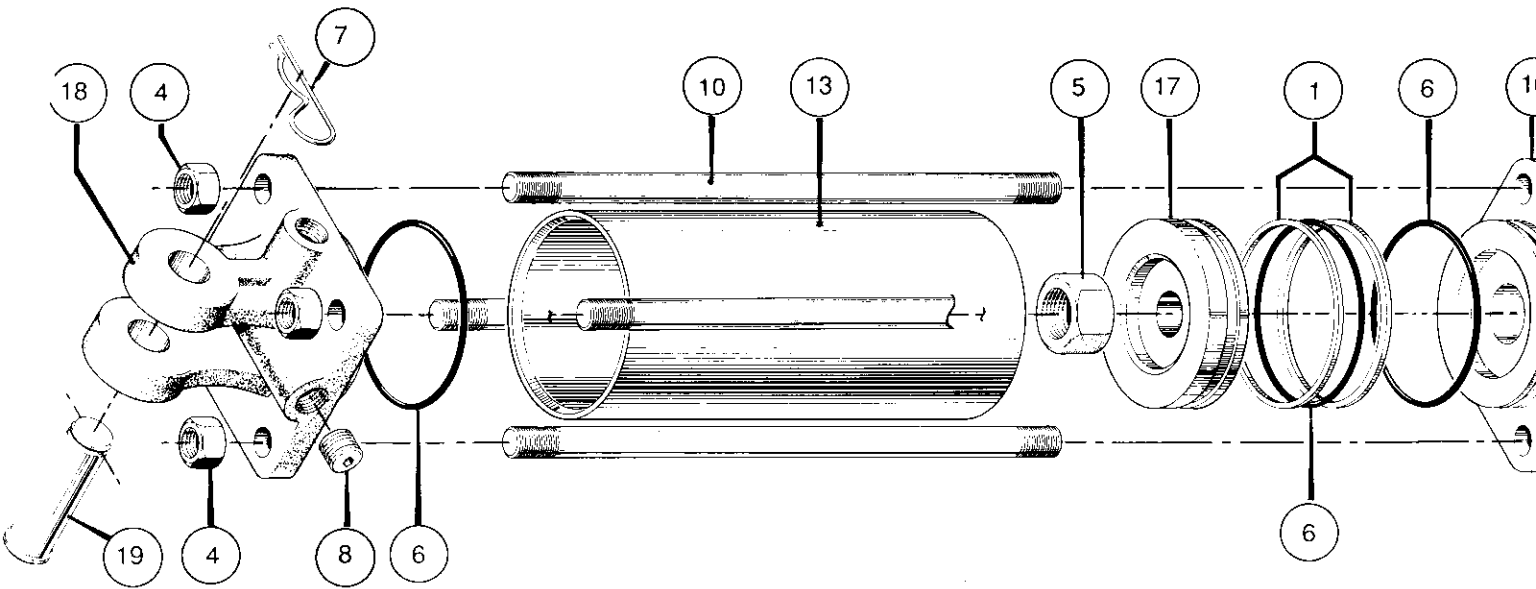
SERVICE INFORMATION MANUAL

HYDRAULIC CYLINDERS

DECEMBER 1, 1993



DE & DU Series Cylinders



PARTS LIST

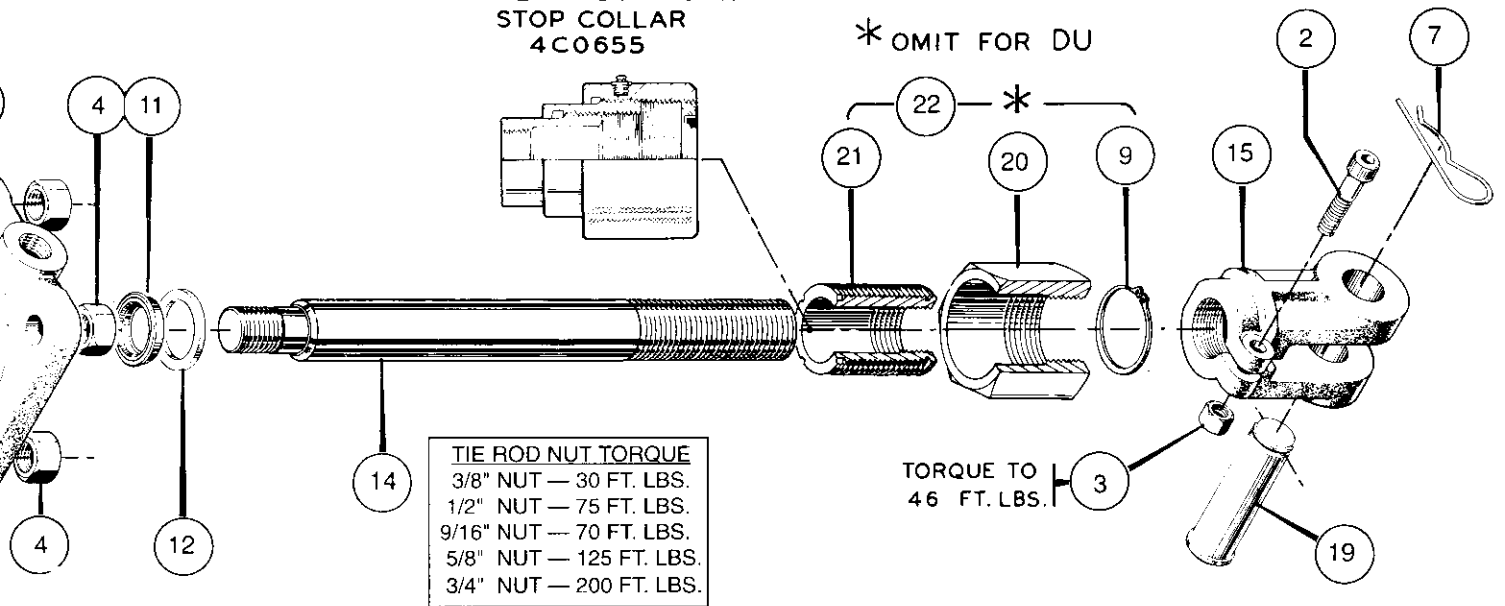
1 1/16" ROD

QTY	DESCRIPTION	PART NUMBER FOR:	
		2" BORE	2 1/2" BORE
2	BACK-UP (PISTON)	2A0010-326	2A0010-330
1	CAPSCREW	2A0079-616	→
1	CLEVIS NUT	2A0235-6	→
8	TIE ROD NUT	2A0235-6	→
1	PISTON NUT	2A0246-12	→
3	O-RING (TUBE)	2A0283-7326	2A0283-7330
2	PIN CLIP	2A0308-1	→
1	PIPE PLUG	2A0349-6	→
*	RETAINING RING	2A0467-150	→
4	TIE ROD	2A0578-1275	→
1	U - CUP	2A0688 - 117	→
1	WIPER	2A0773-717	→
1	TUBE	1D0003-1050	1D0005-1050
1	ROD	1D0214-1475	→
1	CLEVIS	1D1003-3	→
1	HEAD	1D1153-3	1D1155-3
1	PISTON	1D1401-200	1D1401-250
1	BASE	1D1503-3	1D1505-3
2	CLEVIS PIN (ROD & BASE)	1D1551-16275	→
*	OUTSIDE STOP COLLAR	1D1951-1	→
*	INSIDE STOP COLLAR	1D1976-1	→
*	COLLAR ASSEMBLY	1E6000-1	→
0	SEAL KIT	1C4244	1C4433

8 inch STROKE

1 1/4" THREAD
HEAVY DUTY OPT.
STOP COLLAR
4C0655

* OMIT FOR DU



TIE ROD NUT TORQUE
3/8" NUT — 30 FT. LBS.
1/2" NUT — 75 FT. LBS.
9/16" NUT — 70 FT. LBS.
5/8" NUT — 125 FT. LBS.
3/4" NUT — 200 FT. LBS.

TORQUE TO
46 FT. LBS.

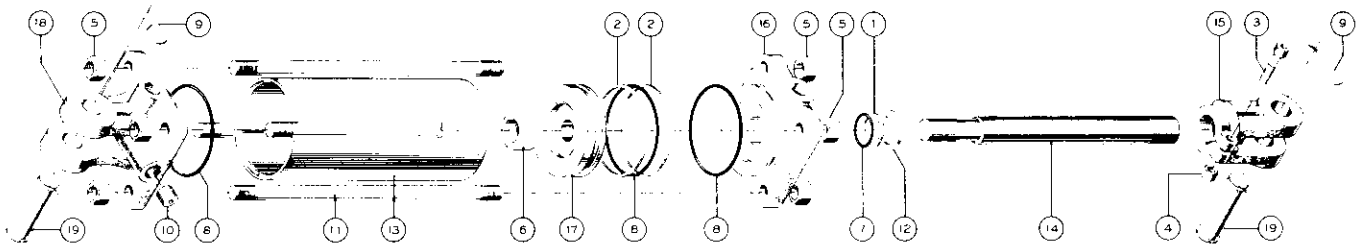
PARTS LIST

1 1/4" ROD

CIRCLE	DESCRIPTION	QTY	PART NUMBER FOR:		
			3" BORE	3 1/2" BORE	4" BORE
1	BACK-UP (PISTON)	2	2A0010-334	2A0010-338	2A0010-342
2	CAPSCREW	1	2A0079-616		→
3	CLEVIS NUT	1	2A0235-6		→
4	TIE ROD NUT	8	2A0235-8	2A0236-9	2A0236-10
5	PISTON NUT	1	2A0246-12	1A1141	2A0246-16
6	O-RING (TUBE) **	3	2A0283-7334	2A0283-9338	2A0283-9342
7	PIN CLIP	2	2A0308-1		→
8	PIPE PLUG	1	2A0349-8		→
* 9	RETAINING RING	1	2A0467-175		→
10	TIE ROD	4	2A0580-1275	2A0581-1325	2A0582-1300
11	U-CUP	1	2A0688-220		→
12	WIPER	1	2A0773-720		→
13	TUBE	1	1D0007-1050	1D0009-1050	1D0011-1012
14	ROD	1	1D0219-1475	1D0215-1462	1D0220-1488
15	CLEVIS	1	1D1003-5	1D1013-5	→
16	HEAD	1	1D1157-13	1D1159-4	1D1161-4
17	PISTON	1	1D1401-300	1D1401-350	1D1401-400
18	BASE	1	1D1507-4	1D1509-4	1D1511-4
19	CLEVIS PIN (ROD & BASE)	1	1D1551-16275	1D1551-16300	→
* 20	OUTSIDE STOP COLLAR	1	1D1952-1		→
* 21	INSIDE STOP COLLAR	1	1D1977-1		→
* 22	COLLAR ASSEMBLY	1	1E6001-1		→
	SEAL KIT	0	1C4629	1C4429	1C4430

** PISTON O-RING ON 3 1/2" BORE IS 2A0283-7338, ON 4" BORE: 2A0283-7342

UTILITY 8 CYLINDER



3" BORE X 8" STROKE X 1 1/16" ROD

PARTS LIST

○	DESCRIPTION	QTY	PART NUMBER
1	BACK-UP (ROD)	1	2A0006-215
2	BACK-UP (PISTON)	2	2A0010-334
3	CAPSCREW	1	2A0079-616
4	CLEVIS NUT	1	2A0235-6
5	TIE ROD NUT	8	2A0235-7
6	PISTON NUT	1	2A0246-12
7	O-RING (ROD)	1	2A0283-7215
8	O-RING (TUBE)	3	2A0283-7334
9	PIN CLIP	2	2A0308-1
10	PIPE PLUG	1	2A0349-8
11	TIE ROD	4	2A0579-1300
12	WIPER	1	2A0773-717
13	TUBE	1	1D0007-1050
14	ROD	1	1D0203-1475
15	CLEVIS	1	1D1003-3
16	HEAD	1	1D1157-28
17	PISTON	1	1D1401-300
18	BASE	1	1D1520-4
19	CLEVIS PINS (ROD & BASE)	2	1D1551-16300
	SEAL KIT	0	1C4434