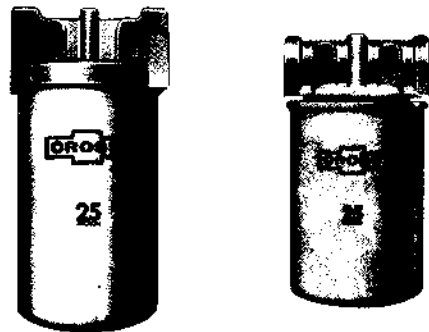
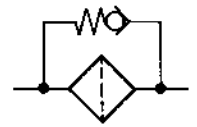




HYDRAULIC FILTERS

FOR USE WITH PETROLEUM BASE FLUIDS

IN-LINE TYPE
SERIES F1/F2
 Specification Sheet



The CROSS series F1 and F2 in-line type hydraulic oil filters are high quality low cost units featuring spin-on, throw-away elements. The thru-type by-pass valve is available with 15 or 25 psi springs for return line installations and 5 psi springs for suction line applications. A specially engineered seal permits usage up to 200 psi.

GENERAL SPECIFICATIONS

Rated flow	F1: 20 gpm (78 l/m)	F2: 60 gpm (227 l/m)
Filtering area	F1: 10 micron	349 sq. in. (2252 cm ²)
	25 micron	490 sq. in. (3161 cm ²)
	F2: 10 micron	892 sq. in. (5755 cm ²)
	25 micron	1075 sq. in. (6935 cm ²)
Rated pressure	200 psi (14 bar)	
Temperature range	20°F (-29°C) to + 300°F (149°C)	
Mounting	In-line and 2 threaded bosses	
Weight	F1: 2 lbs. (.9 Kg)	F2: 6 lbs. (2.7 Kg)

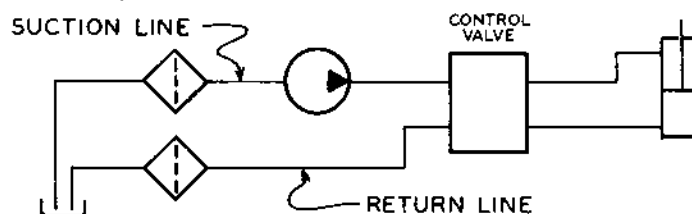
FEATURES

- Full flow filtration • Spin-on, throw-away elements
- 10 or 25 micron filter elements • 5, 15, or 25 psi by-pass springs

AVAILABLE OPTIONS

- Indicator (pressure) gauge • Pipe, SAE or 4-bolt flange ports

APPLICATIONS (TYPICAL)

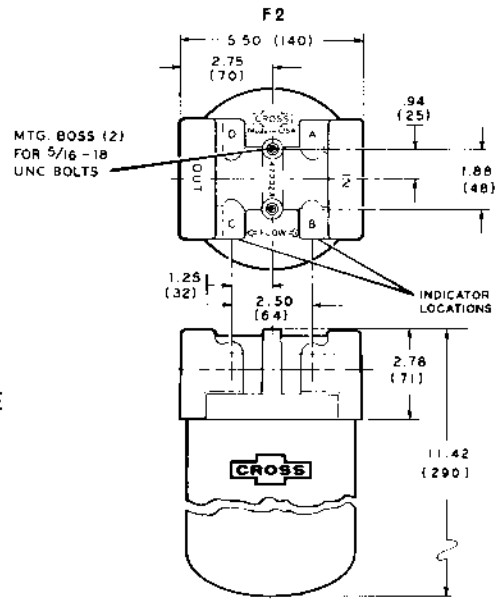
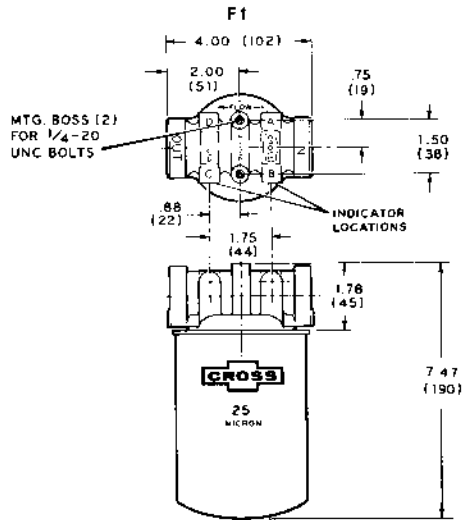


Hydraulic system preventive maintenance, with regular filter element changes, is essential to assure long life of components. If the CROSS F1 or F2 filter becomes clogged with contamination before changing, the by-pass valve (a safety feature) opens at the pre-set pressure, preventing pump cavitation (suction line) or collapse of the element (return line).

Filters must be sized to handle the maximum flow at its position in the system. For example: Return line filter in a regenerative system or accumulator system must be capable of handling the full flow being returned to the reservoir which may be in excess of the pump output capacity.

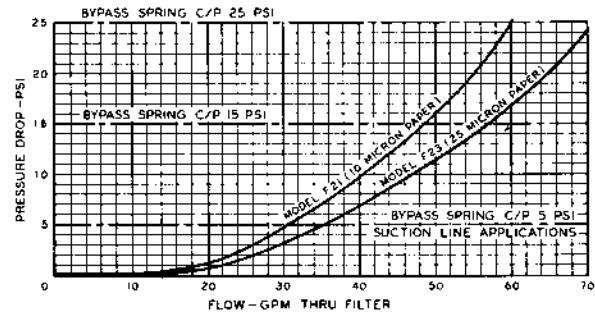
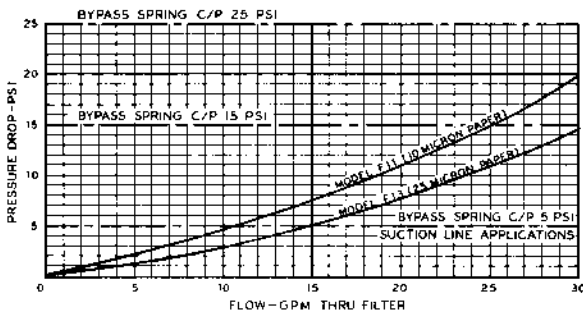


DIMENSIONAL DATA: in inches and (millimeters)



PERFORMANCE DATA: (Typical)

Pressure Drop — 120 SUS Oil Viscosity at 120° F



ORDERING INFORMATION:

INDICATOR PREFIX (1)	LOCATION	MODEL NUMBER	FILTRATION	BY-PASS PRESSURE	PORT SIZE and TYPE	
					F1	F2
G	A	F1	1	A. 5 psi	A. 3/4 NPTF*	A. 1 1/4 NPTF*
	B*	(20 gpm)	10 Micron		B. 1 1/2-12	B. 1 1/2 SAE 4-bolt
	C	F2	3	C. 25 psi	C. 1 5/8-12 (SAE #12)	C. 1 5/8-12 (SAE 20)
	D	(60 gpm)	25 Micron			D. 1 7/8-12 (SAE 24)

*Standard

EXAMPLE: GBF11BA is a model F1 filter with an indicator at location B, with a 10 micron element, 15 psi by-pass spring and 3/4 NPTF ports.

(1) Omit indicator prefix if indicator is not desired.

REPLACEMENT ELEMENTS:

	10 MICRON	25 MICRON
F1	1A9021	1A9023
F2	1A9251	1A9253



CROSS MANUFACTURING, INC.
100 Factory Street
Lewis, Kansas 67552
Phone: 316-324-5525