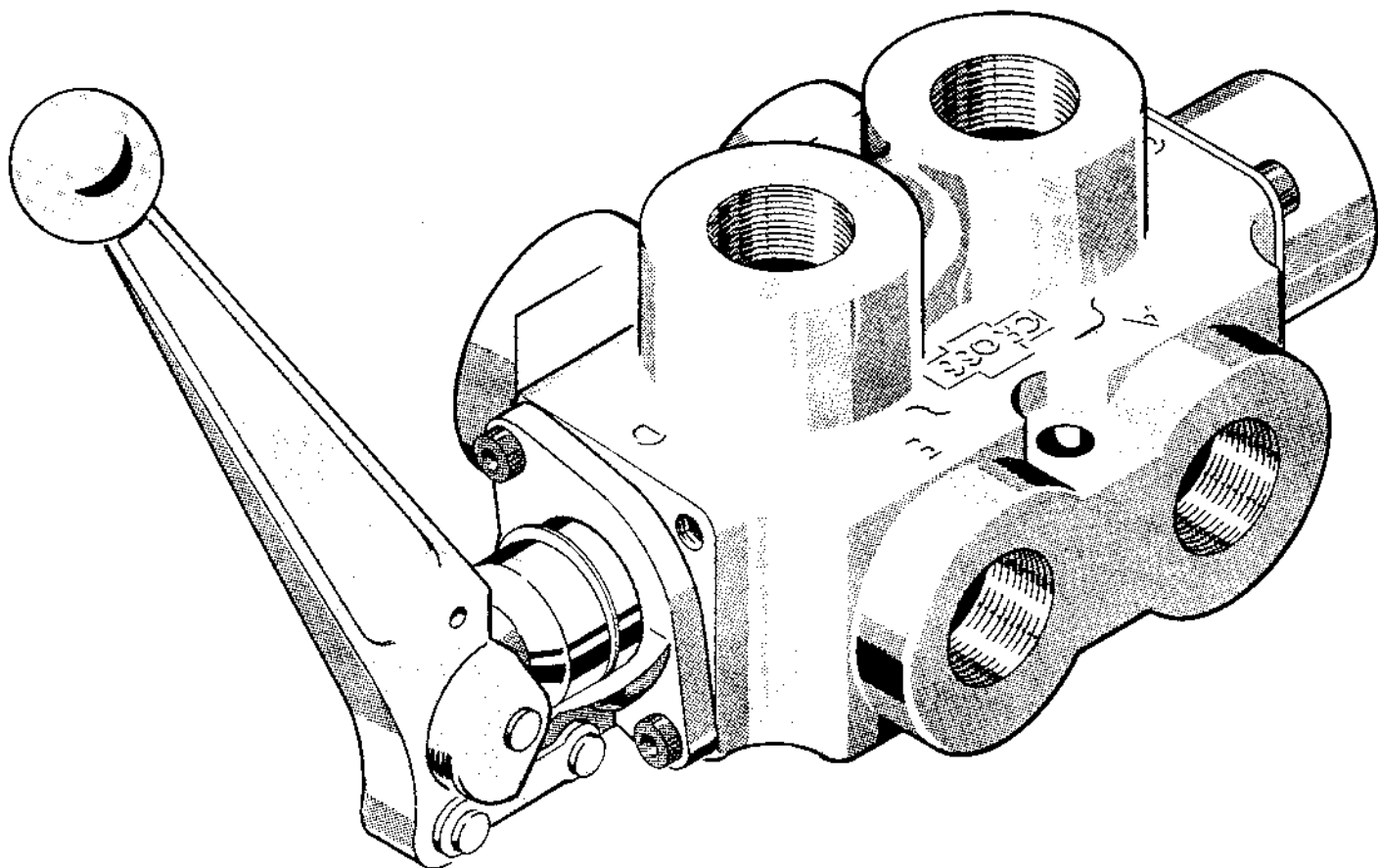


DOUBLE SELECTOR VALVE



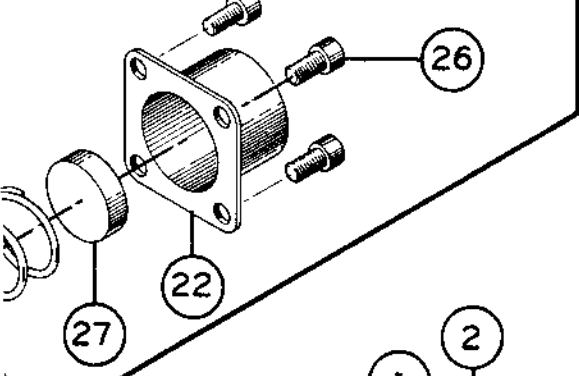
CROSS MANUFACTURING, INC.

LEWIS, KANSAS 67552

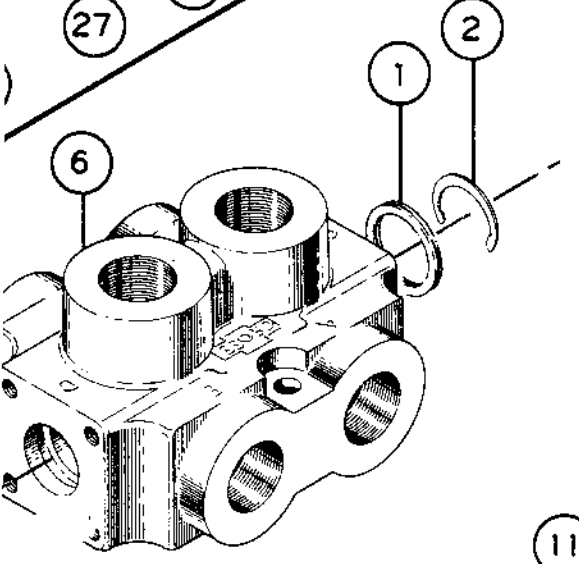
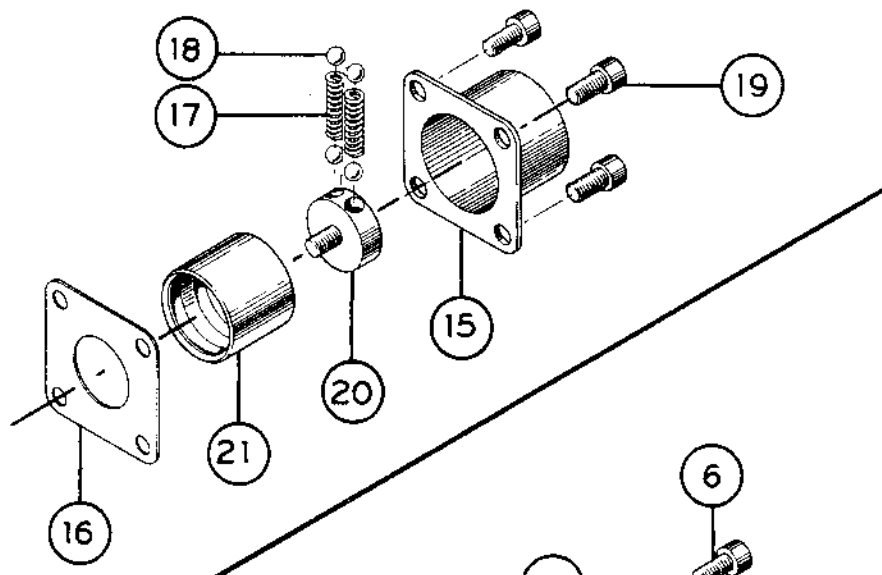
316-324-5525

December 1, 1980

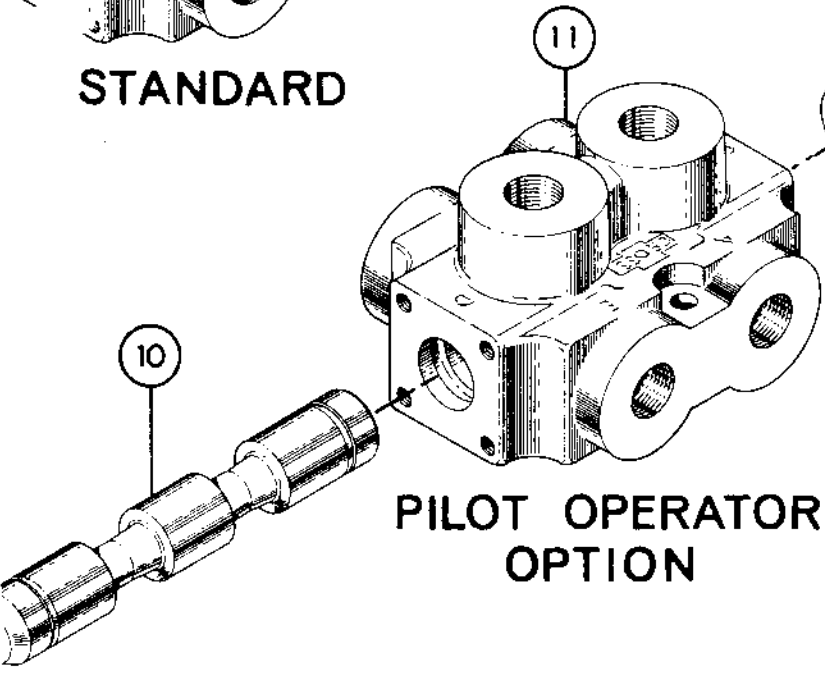
**3 RETURN OPTION
kit 1V0932**



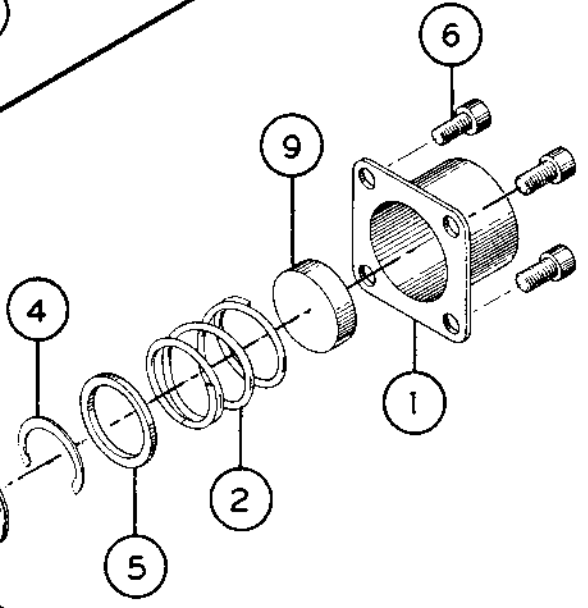
**TWO - POSITION DETENT OPTION
kit 1V0934**



STANDARD



**PILOT OPERATOR
OPTION**



SEE REVERSE SIDE FOR PARTS LIST

It is the policy of Cross Manufacturing, Inc. to improve its products whenever possible and practical to do so. We reserve the right to make changes, improvements and modifications at any time without incurring the obligation to make such changes, improvements and modifications on any equipment sold previously.

MODEL SD VALVE PARTS LIST

STANDARD ASSEMBLY			
PART NUMBER		DESCRIPTION	QTY REQD
1	1A9035	QUAD-X SEAL	2
2	1A9045	SNAP RING	2
3	2A0079 - 404	MACHINE SCREW	2
4	1V0633	HANDLE ADAPTER	1
5	1V0703	* SPOOL	1
6	1V0711	* BODY MACHINING	1
7	1V1703	HANDLE	1
8	1V1730	PIN KIT	1
9	1V1826	HANDLE BRACKET	1
	2A0352 - 16	SHIPPING PLUG, 1"	6
	2V0022	SEAL KIT	0
KNOB OPTION (KIT 1V0933)			
10	1A0768	KNOB	1
CLEVIS OPTION (KIT 1V0930)			
11	1A9006	CLEVIS PIN	1
12	2A0309 - 204P	COTTER PIN	1
13	1V0262	SPOOL CLEVIS	1
SERIES PARALLEL OPTION			
14	1V1722	* SPECIAL SPOOL	1
TWO-POSITION DETENT OPTION (KIT 1V0934)			
15	1A0294	END CAP	1
16	1A0710	SPACER	1
17	1A0739	DETENT SPRING	2
18	2A0017 - 8	STEEL BALL	4
19	2A0079 - 404	MACHINE SCREW	4
20	1V0272	DETENT RETAINER	1
21	1V1811	DETENT SLEEVE	1
SPRING RETURN OPTION (KIT 1V0932)			
22	1A0294	END CAP	1
23	1A0332	CENTERING SPRING	1
24	1A0795	DUST SEAL	1
25	1A9046	WASHER	1
26	2A0079 - 404	MACHINE SCREW	4
27	1V0216	RUBBER SPACER	1
PILOT OPERATOR OPTION			
1	1A0294	① END CAP	1
2	1A9008	① CENTERING SPRING	1
3	1A9035	QUAD-X SEAL	2
4	1A9045	SNAP RING	2
5	1A9046	① WASHER	1
6	2A0079 - 404	① MACHINE SCREW	4
7	2A0079 - 406	① MACHINE SCREW	4
8	2A0283 - 9029	① O-RING	1
9	1V0216	① RUBBER SPACER	1
10	1V0701	* SPOOL	1
11	1V0706	* BODY MACHINING	1
12	1V1223	① END CAP (SPECIAL)	1
	2A0352 - 2	SHIPPING PLUG, 1/8"	1
	2A0352 - 8	SHIPPING PLUG, 1/2"	6

① THESE COMPONENTS MAKE UP KIT 1V1935.

* THE SELECT-FIT HONING PROCESS AT FACTORY, WHICH FITS A SPOOL TO AN INDIVIDUAL VALVE BODY, ELIMINATES THE POSSIBILITY OF ORDERING THE VALVE BODY OR SPOOL AS SEPARATE ITEMS.