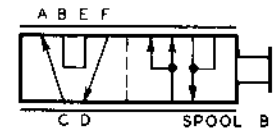
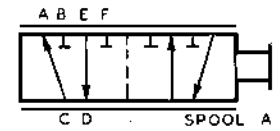
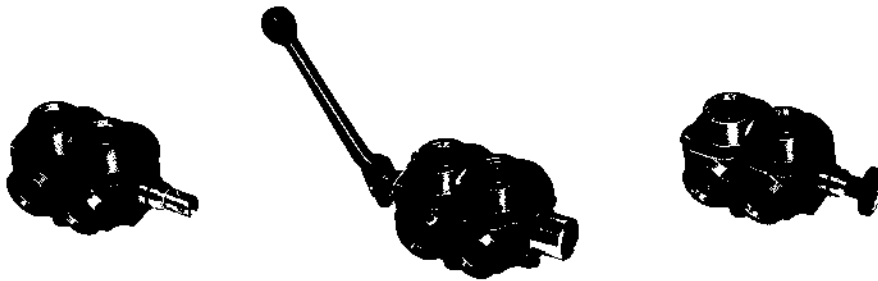




HYDRAULIC VALVES (DIRECTIONAL CONTROL)

SELECTOR VALVES SD SERIES Specification Sheet



The CROSS series SD hydraulic selector valves are spool type, manually operated, 6-way, 2-position valves featuring cast-in metering notches for smooth operation. They provide an economical method of diverting flow to two separate hydraulic circuits or providing various types of multiple system operations in combination with other valves.

GENERAL SPECIFICATIONS

Maximum working pressure.....	2500 psi (172 bar)
Maximum shock and surge pressure.....	3500 psi (242 bar)
Maximum flow capacity.....	40 gpm (151 l/m)
Mounting.....	2-bolt, any position
Shipping weight.....	9 lbs. (4 Kg)

MATERIAL SPECIFICATIONS

Body.....	High tensile strength cast iron
Spool.....	Ground, plated and polished steel
Seals.....	Buna N

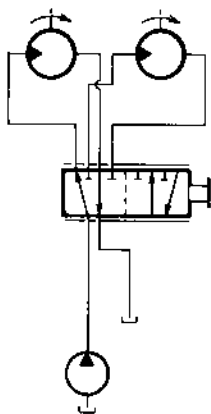
STANDARD FEATURES

- 1¹/₈ - 12 (3/4)" SAE #12) o-ring ports
- Knob actuator (at port "C")
- Standard selector spool

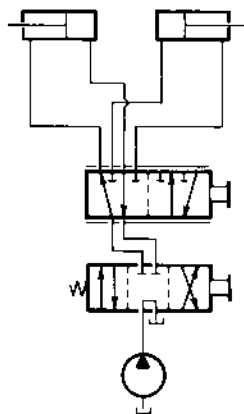
OPTIONAL FEATURES AVAILABLE

- 3/4 - 16 (1/2" SAE #8) ports
- 1⁵/₁₆ - 12 (1" SAE #16) ports
- 3/4" NPTF ports
- 1" NPTF ports
- Handle actuator
- Clevis
- Spring return with wiper seal
- Actuator at port "D"
- Detent
- Series/parallel spool

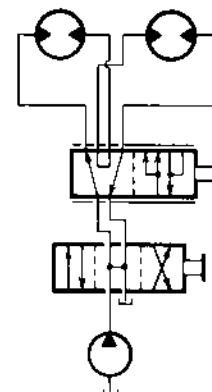
TYPICAL APPLICATIONS (Simplified circuits)



CIRCUIT SELECTOR
Allows either motor to be driven uni-directionally.



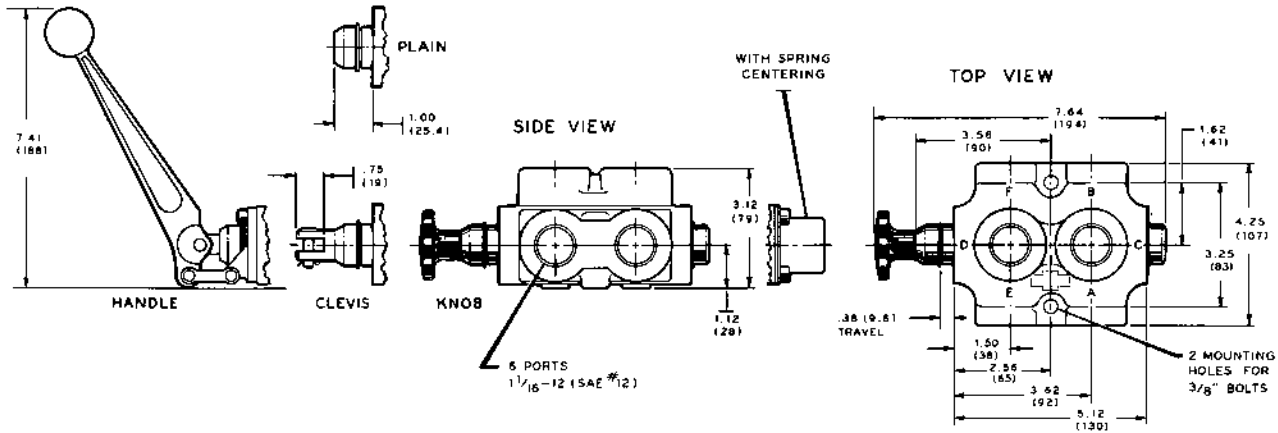
CIRCUIT SELECTOR
Allows either cylinder to be operated by one directional control valve.



SERIES/PARALLEL
Allows selection of either series or parallel motor operation.

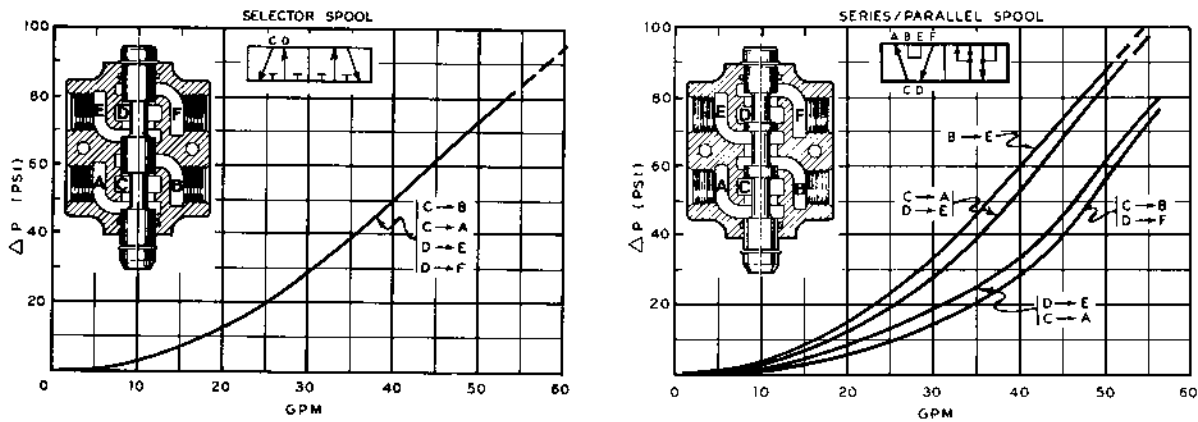


DIMENSIONAL DATA: in inches and (millimeters)



PERFORMANCE DATA: (Typical)

FLOW VS PRESSURE LOSS (OTE -24 OIL 120° F 1 1/16-12 SAE PORTS)



ORDERING DATA:

SERIES	MODEL	ACTUATOR LOCATION	ACTUATOR OPTIONS	END CAP OPTIONS	SPOOL TYPE	PORT SIZES (ALL PORTS)
SD	4 (40 gpm)	A @ Port C side B* @ Port D side	A. Handle C. Clevis K. Knob* L. Plain U. Hydraulic Pilot G. Other, specify	L. Plain* B. Spring Return D. 2 pos. Detent U. Hydraulic Pilot G. Other, specify	A* (Selector) B (Series/Parallel)	2. 3/4-16 (SAE #8) 4. 3/4 NPTF 5. 1 1/16-12 (SAE #12)* 6. 1" NPTF 7. 1 1/16-12 (SAE #16) 8. Other
SD	4	B	K	L	A	5

* Denotes standard model

EXAMPLE: Model SD4BKLA5 is a standard unit with a knob actuator located at the "D" port side with standard selector spool and SAE #12 o-ring ports.



CROSS MANUFACTURING, INC.
100 Factory Street
Lewis, Kansas 67552
Phone: 316-324-5525