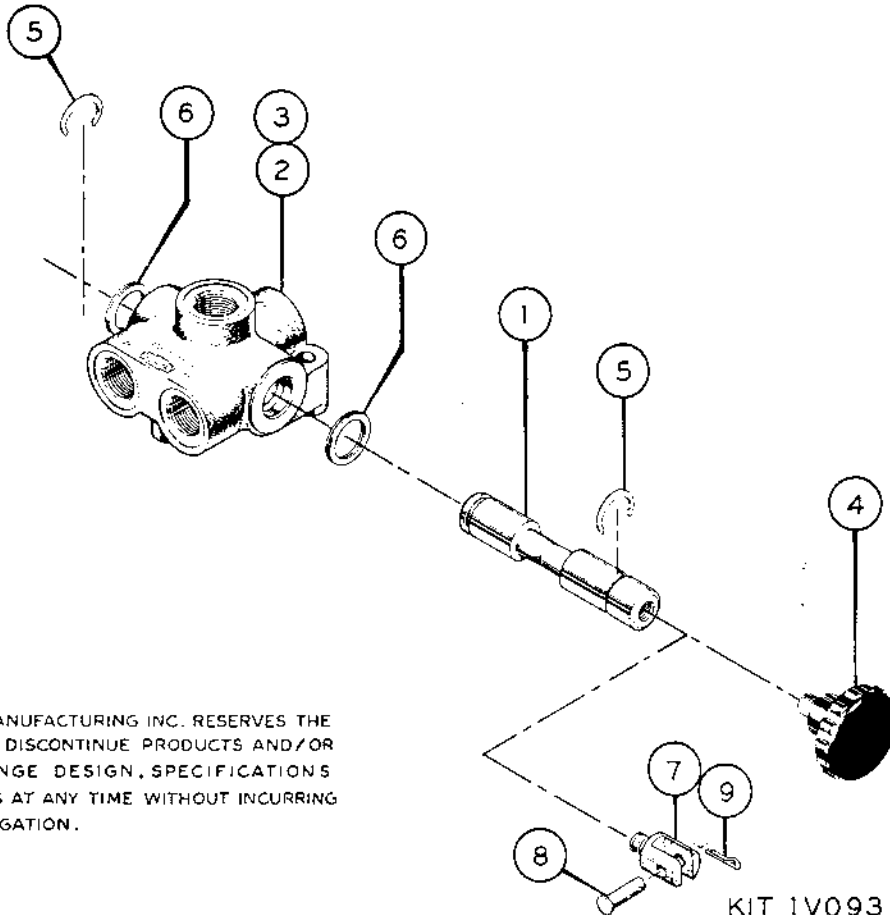


MODEL VS2 SELECTOR VALVE



CROSS MANUFACTURING INC. RESERVES THE RIGHT TO DISCONTINUE PRODUCTS AND/OR TO CHANGE DESIGN, SPECIFICATIONS OR PRICES AT ANY TIME WITHOUT INCURRING ANY OBLIGATION.

KIT 1V0930
CLEVIS ACTUATOR OPTION

PARTS LIST

○	PART NO.	DESCRIPTION	QTY
1	1V0230 *	SPOOL	1
2	1V0504 *	BODY MACHINING, TOP INLET (STANDARD)	1
3	1V0506 *	BODY MACHINING, END INLET (OPTIONAL)	1
4	1A0768	KNOB	1
5	1A9002	SNAP RING	2
6	1A9033	SPOOL SEAL	2
—	2V0007	SEAL KIT	0
SPECIAL PARTS FOR KIT 1V0930			
7	1V0262	CLEVIS	1
8	1A9193	CLEVIS PIN	1
9	2A0309-204	COTTER PIN	1
<p>*THE SELECT-FIT HONING PROCESS AT FACTORY, WHICH FITS A SPOOL TO AN INDIVIDUAL VALVE BODY, ELIMINATES THE POSSIBILITY OF ORDERING THE VALVE BODY OR SPOOL AS SEPARATE ITEMS.</p>			

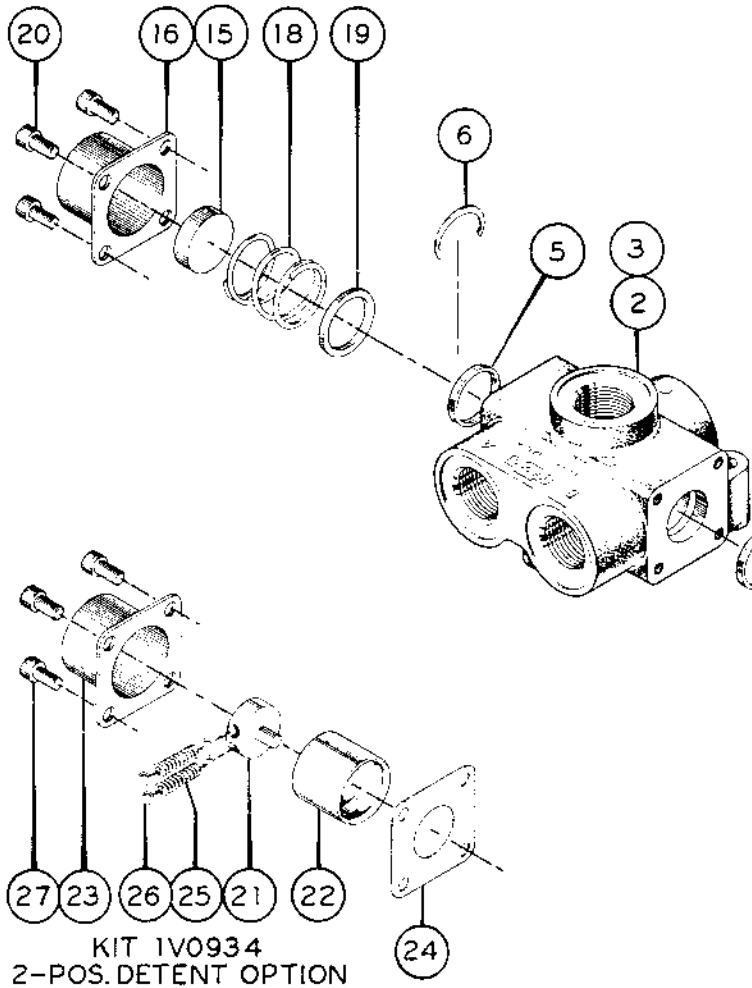
SEE FM VVS1 FOR SPECIFICATIONS AND ORDERING INFORMATION.



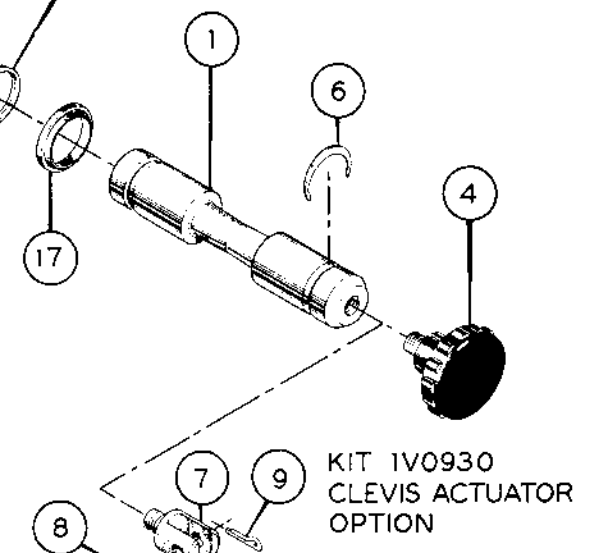
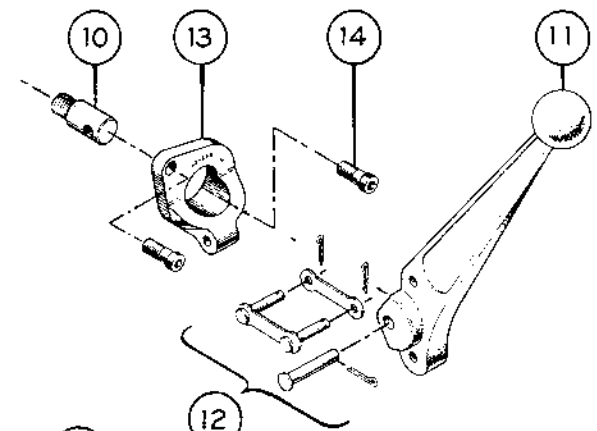
MANUFACTURING, INC.
LEWIS, KANSAS 67552 / 316-324-5525

MODEL VS 4

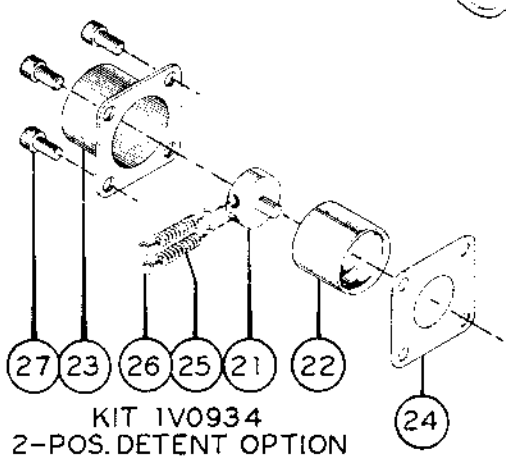
KIT 1V0932
SPRING RETURN OPTION



KIT 1V0931
HANDLE OPTION



KIT 1V0934
2-POS. DETENT OPTION



PARTS LIST

PART NO.	DESCRIPTION	QTY
STANDARD PARTS		
1 1V0571 *	SPOOL	1
2 1V0604 *	BODY MACH. W/TOP INLET (STD)	1
3 1V0609 *	BODY MACH. W/END INLET (OPT.)	1
4 1A0768	KNOB	1
5 1A9035	SPOOL SEAL	2
6 1A9045	SNAP RING	2
- 2V0022	SEAL KIT	0
SPECIAL PARTS FOR KIT 1V0930		
7 1V0262	CLEVIS	1
8 1A9193	CLEVIS PIN	1
9 2A0309-204	COTTER PIN	1
SPECIAL PARTS FOR KIT 1V0931		
10 1V0633	HANDLE ADAPTOR	1
11 1V1703	HANDLE	1
12 1V1730	PIN KIT	1
* THE SELECT-FIT HONING PROCESS AT FACTORY, WHICH FITS A SPOOL TO AN INDIVIDUAL VALVE BODY, ELIMINATES THE POSSIBILITY OF ORDERING THE VALVE BODY OR SPOOL AS SEPARATE ITEMS.		

PART NO.	DESCRIPTION	QTY
- 1V1826	SPECIAL HANDLE BRACKET (IF RETAINING RING IS USED ON HANDLE END)	-
13 4Z4306	HANDLE BRACKET	1
14 2A0079-404	MACHINE SCREW	2
SPECIAL PARTS FOR KIT 1V0932		
15 1V0216	FORWARD STOP	1
16 1A0294	END CAP	1
17 1A0795	DUST SEAL	1
18 1A9008	SPRING	1
19 1A9046	WASHER	1
20 2A0079-404	MACHINE SCREW	4
SPECIAL PARTS FOR KIT 1V0934		
21 1V0272	DETENT RETAINER	1
22 1V1811	DETENT SLEEVE	1
23 1A0294	END CAP	1
24 1A0710	RETAINER PLATE	1
25 1A0739	DETENT SPRING	2
26 2A0017-8	STEEL BALL (1/4")	4
27 2A0079-404	MACHINE SCREW	4