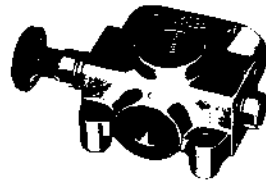




HYDRAULIC VALVES (DIRECTIONAL CONTROL)

SELECTOR VALVE VS SERIES Specification Sheet



The CROSS series VS hydraulic selector valves are manually operated, spool type, 3-way, 2-position valves featuring cast-in metering notches for smooth operation. They provide an economical method of diverting flow to either of two hydraulic circuits and are available with a variety of actuators.

GENERAL SPECIFICATIONS

Maximum working pressure.....	2500 psi (172 bar)
Maximum shock and surge pressure.....	3500 psi (242 bar)
Maximum flow capacity.....	VS2: 20 gpm (76 l/m) ... VS4: 40 gpm (151 l/m)
Mounting.....	2-bolt, any position
Shipping weight	VS2: 2.7 lbs. (1.2 Kg). VS4: 6 lbs. (2.7 Kg)

MATERIAL SPECIFICATIONS

Body	High tensile strength cast-iron
Spool	Ground, plated and polished steel
Seals	Buna N

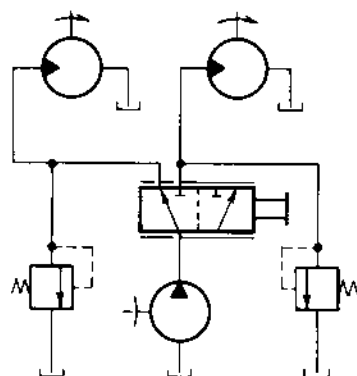
STANDARD FEATURES

- 3/4 - 16 (1/2" SAE #8) ports on VS2
- Knob actuator (at port "B")
- 1 1/16 - 12 (3/4" SAE #12) ports on VS4
- Front inlet port position

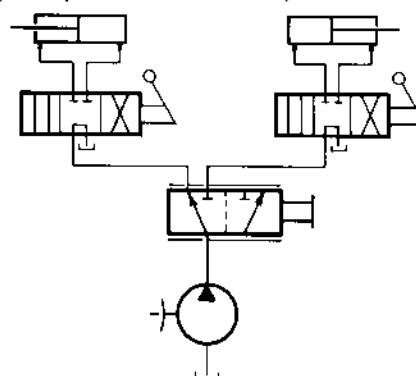
OPTIONAL FEATURES AVAILABLE

- Various port sizes and types
- Detent
- Various actuators
- Bottom inlet port location
- Spring return

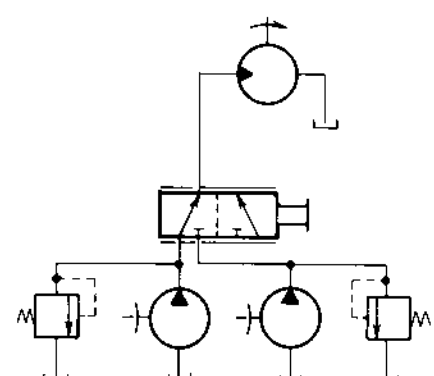
TYPICAL APPLICATIONS (Simplified circuits)



CIRCUIT SELECTOR
Allows either motor to be driven unidirectionally.



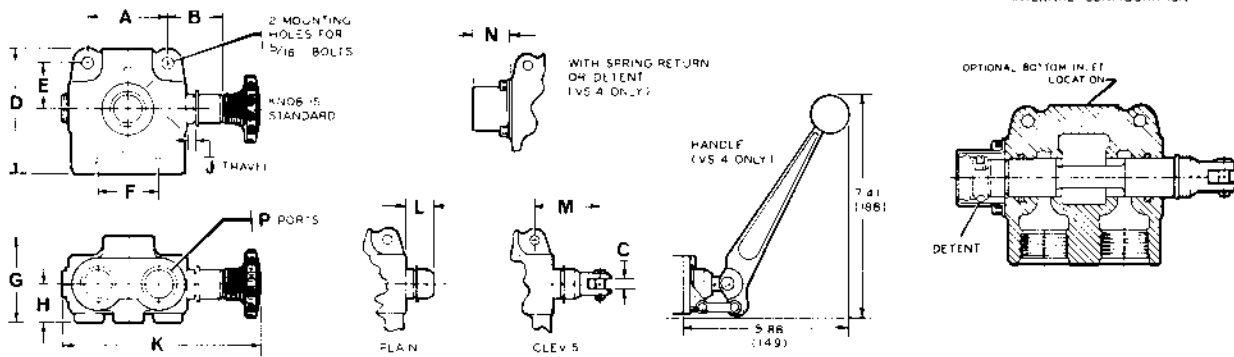
CIRCUIT SELECTOR
Allows either cylinder to be operated independently from single pump.



INPUT SELECTOR
Allows motor to be driven from either of two input sources.

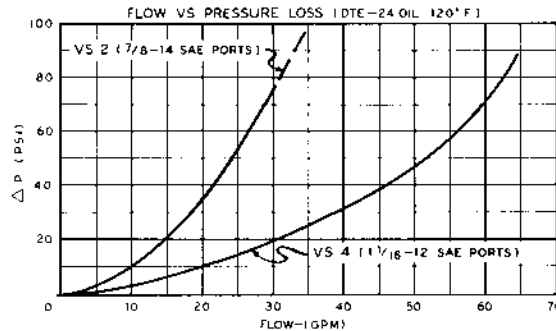


DIMENSIONAL DATA: in inches and (millimeters)



MODEL		A	B	C	D	E	F	G	H	J	K	L	M	N	P
VS2	in.	2.12	1.53	.34	3.25	1.19	1.62	2.25	1.00	.31	5.33	1.03	2.16	1.18	3/4 - 16
	mm	54	39	8.6	82	30	41	57	25.4	7.9	135	26	55	30	SAE #8
VS4	in.	3.00	1.56	.34	4.12	1.50	2.12	2.62	1.12	.38	6.12	1.00	2.19	1.18	1 1/16-12
	mm	76	40	8.6	105	38	54	66	28	9.6	155	25.4	56	30	SAE #12

PERFORMANCE DATA: (Typical)



ORDERING INFORMATION:

SERIES	MODEL	ACTUATOR LOCATION	ACTUATOR OPTIONS	END CAP OPTIONS	INLET PORT (C) LOCATION	PORT SIZE (ALL)	
						VS2	VS4
VS	2 20 gpm 4 40 gpm	A port "A" side B port "B" side	K* Knob C Clevis L Plain	L* Plain	F* Front position B Bottom position A Both pos. mach.	2	6
						1/2 NPTF	3/4 NPTF
			VS4 only A - Handle U - Hydraulic pilot G - Other, specify	VS4 only B - Spring return D - 2 pos. detent U - Hydraulic pilot G - Other, specify		4* SAE #8 (3/4-16)	8* SAE #12 (1 1/16-12)
							9 SAE #16 (1 3/16-12)
VS	4	B	K	L	F		8



CROSS MANUFACTURING, INC.
100 Factory Street
Lewis, Kansas 67552
Phone: 316-324-5525

* Standard

Example: Model VS4BKLF8 is a standard 40 gpm valve with a knob actuator located at the "B" port side with SAE #12 (1 1/16-12) o-ring ports.