



# HYDRAULIC VALVES SOLENOID SELECTOR

SERIES  
VS4 and SD4

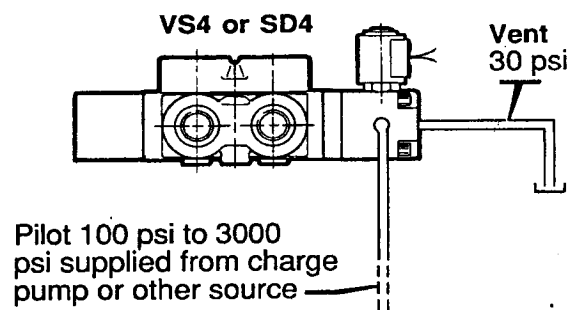
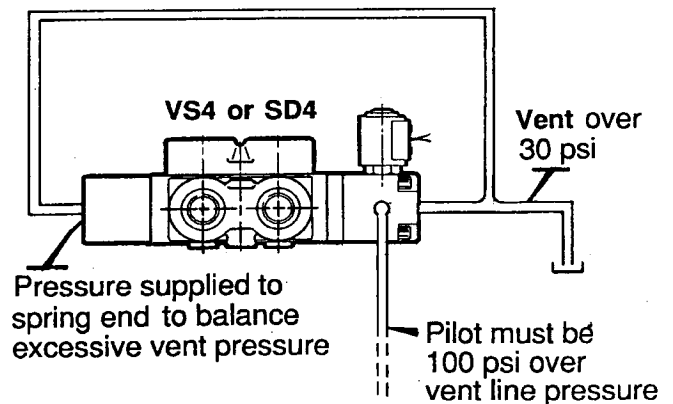
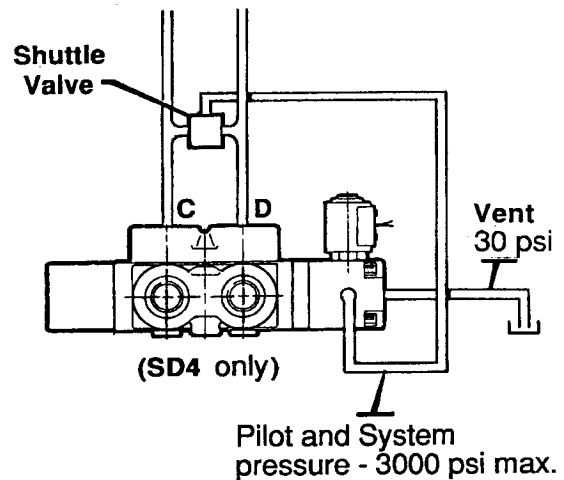
The CROSS VS4 and SD4 selector valves with solenoid operators offer versatility for many remote applications. 12 and 24 volt DC as well as 120 and 240 volt AC options are offered.

A minimum of 100 psi pilot pressure is required for shifting the spool. With heavy duty end caps up to 3000 psi pilot pressure may be used. In some applications, pilot pressure can be supplied with a shuttle valve connected between ports "C" and "D" of the SD4 double selector.

Pilot and drain lines must be plumbed externally since the solenoid operator is not direct acting. When the solenoid is energized, the small valve spool within it is shifted to direct pilot pressure to the end of the selector spool causing it to shift. When the solenoid is de-energized, the small spool in the solenoid is shifted back and the spool cavity is connected to vent. The spring return at the opposite end of the selector spool then returns it to its original position. Pilot pressure is blocked in this position.

Maximum vent or drain line pressure is 30 psi but higher pressures may be used if vent line pressure is supplied to the spring end using a special pilot end cap to balance the main selector spool. Pilot pressure must be at least 100 psi over the vent line pressure in this configuration.

To order the solenoid option, specify "G" - other as the actuator option and note the voltage, as well as heavy duty end caps for pilot pressure above 700 psi. "B" spring return would be specified for the end cap option. A sample part number is as follows:  
**SD4BG - 12 volt, heavy duty end caps - BA6.**



The solenoid selector is not a field convertible option but these valves are available within the standard short lead times from the factory.