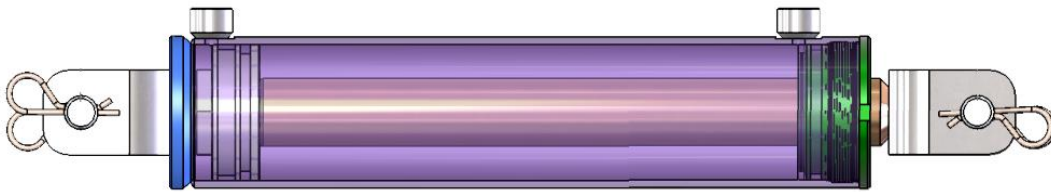


KHX Welded Agricultural Cylinder – 4” bore

Kanamak Hydraulics is excited to announce our new line of welded agricultural-style cylinders. Manufactured with high grade steel and top quality seals, these cylinders are engineered for durability and performance.

- 3,000 PSI rating
- Agricultural-style clevis ends
- ORB ports
- Depth controls available for ASAE models

Designed to be a direct interchange with many popular 4” bore tie-rod models that have become difficult to find, Kanamak is your source for your hydraulic needs!



KHX 4" Bore	Welded Double Acting Hydraulic Cylinder - Agricultural Clevis End - 3000 PSI							
Model No.	Bore (Inch)	Stroke (Inch)	Rod Ø (Inch)	Retracted Length (Inch)	Extended Length (Inch)	Pin Ø (Inch)	Port Size	Price
KHX40-08-150	4	8	1.5	18.62	26.62	1	-8 ORB	\$692
KHX40-08-150-ASAE	4	8	1.5	20.25	28.25	1	-8 ORB	\$698
KHX40-10-150	4	10	1.5	20.62	30.62	1	-8 ORB	\$665
KHX40-10-150-ASAE	4	10	1.5	22.25	32.25	1	-8 ORB	\$690
KHX40-12-150	4	12	1.5	22.62	34.62	1	-8 ORB	\$703
KHX40-16-200	4	16	2	26.62	42.62	1	-8 ORB	\$750

Proudly Made in the USA

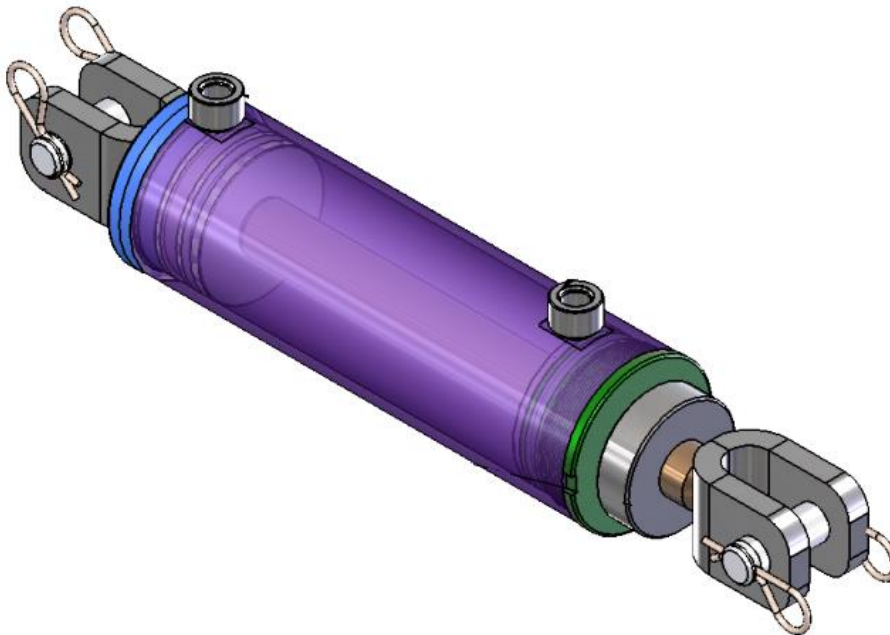




4" Bore KHX Interchange List*

8" Stroke		10" Stroke ASAE	
Mfg.	Model #	Mfg.	Model #
Cross	022930	Cross	030462
Cross	030946	Cross	030460
8" Stroke ASAE		12" Stroke	
Mfg.	Model #	Mfg.	Model #
Cross	022556	Cross	029472
Cross	029470	Cross	030948
10" Stroke		16" Stroke	
Mfg.	Model #	Mfg.	Model #
Cross	022646	Cross	030950
Cross	030947	Cross	022787
Cross	029471		

*This interchange list is for reference only. Differences such as rod diameter and port size/thread style may exist.



Proudly Made in the USA

